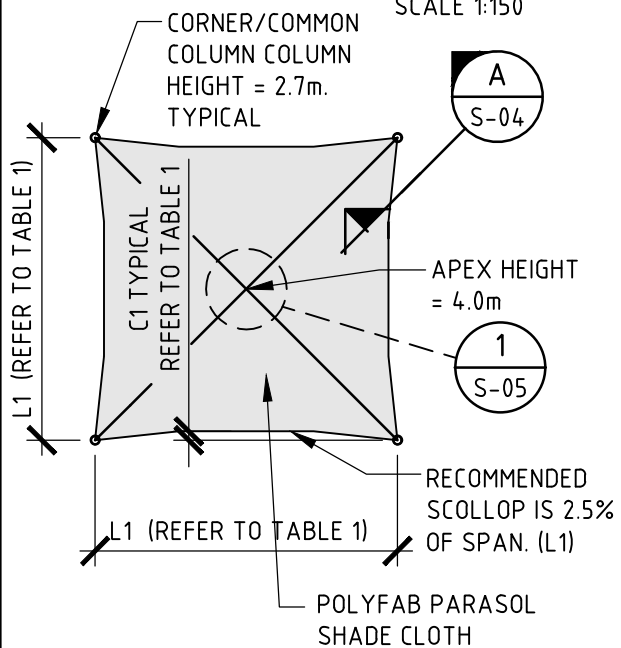
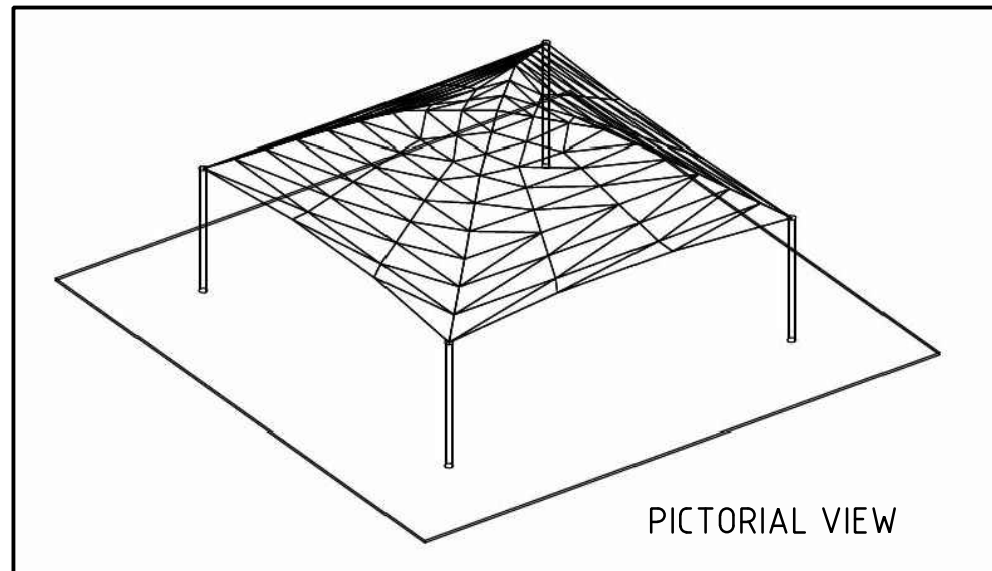


PLAN VIEW  
SCALE 1:150



PLAN VIEW - MODULAR DETAIL  
SCALE 1:150



PICTORIAL VIEW

**PRESTRESS NOTES**

TO ENSURE ADEQUATE DESIGN PRESTRESS IS APPLIED DURING INSTALLATION, THE FOLLOWING TENSIONING IS TO BE ADOPTED FOR EACH LENGTH OF CATENARY CABLE. ONCE THE CATENARY CABLE IS MADE TAUGHT, AN ADDITIONAL 7mm OF TENSIONING IS TO BE APPLIED FOR EACH LENGTH OF CABLE. I.E. 28mm TOTAL FOR THE 6m x 6m FRAMED

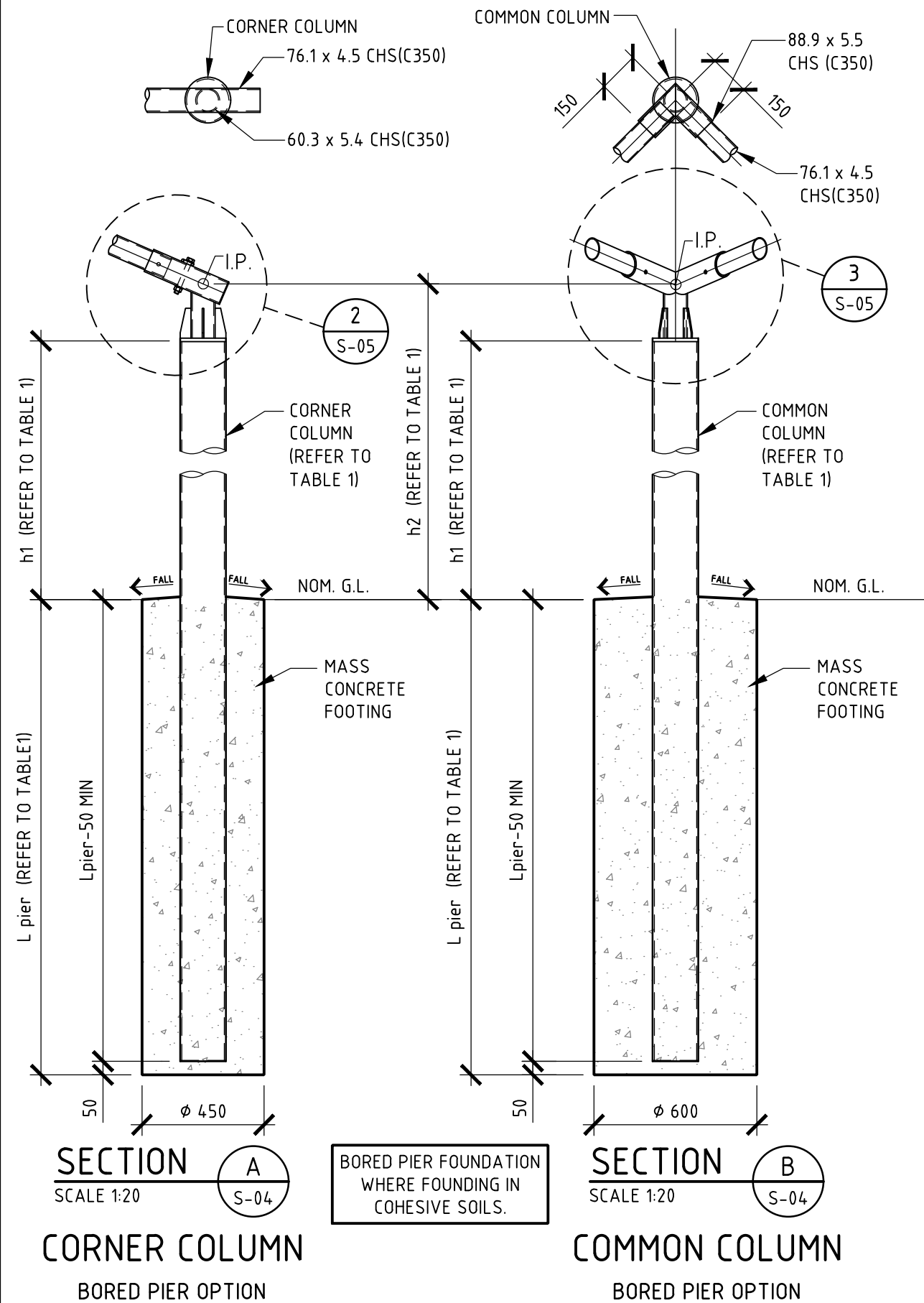
**FOUNDATION NOTES**

1. TWO FOOTING OPTIONS HAVE BEEN DETAILED, CASE WHERE FOUNDING MATERIAL IS ROCK OR COHESIVE, I.E. MEDIUM CLAY. REFER TO ACCOMPANYING PROJECT SPECIFIC CERTIFICATION DOCUMENT WHICH SPECIFIES WHICH FOOTING TYPE IS TO BE USED.

2. IN THE EVENT THAT UNUSUAL SOIL CONDITIONS ARE FOUND THE ENGINEER IS TO BE CONTACTED

TABLE 1

COLUMN TYPE	L1 (mm)	C1 (mm)	d1 (mm)	X1 (mm)	h1 (mm)	h2 (mm)	Lpier (mm)	X° (mm)	Y° (mm)	R1 (mm)	COLUMN (mm)
DETAILS ONLY AVAILABLE UPON REQUEST FROM IZZAT CONSULTING ENGINEERS											



SECTION A  
SCALE 1:20

CORNER COLUMN  
BORED PIER OPTION

BORED PIER FOUNDATION WHERE FOUNDING IN COHESIVE SOILS.

SECTION B  
SCALE 1:20

COMMON COLUMN  
BORED PIER OPTION

**NOT FOR CONSTRUCTION  
FOR MARKETING ONLY**

THE IDEAS, INFORMATION AND CONCEPTS CONTAINED IN THIS DOCUMENT ARE THE PROPERTY OF IZZAT CONSULTING ENGINEERS PTY. LIMITED. REPRODUCTION OR RE-USE OF THIS DOCUMENT OR THE INFORMATION CONTAINED WITHIN IS NOT PERMITTED WITHOUT WRITTEN AUTHORISATION. NON COMPLIANCE WITH THE ABOVE IS AN INFRINGEMENT OF COPYRIGHT.

**IZZAT**  
CONSULTING ENGINEERS  
A DOCKRILL FAMILY COMPANY

Different thinking.  
Smarter solutions.

Member of:  
CONSULT AUSTRALIA

IZZAT CONSULTING ENGINEERS PTY LTD  
ABN: 60 110 255 582  
Newcastle Office:  
4, 56 Hudson Street,  
Hamilton, NSW 2303  
PO Box 988 Hamilton 2303  
P: +61 2 4940 0090  
F: +61 2 4940 0091  
E: mail@izzat.com.au  
W: www.izzat.com.au

PROJECT	STANDARD SHADE STRUCTURE DESIGNS	
CLIENT	NOLAN GROUP	

DRAWING TITLE				FRAMED STRUCTURE PLAN & DETAILS SHEET 1 OF 2	
DESIGN	DRAWN	CHECKED	SCALE	A3	
T.D./A.C.	R.E.	T.D.	1:150 U.N.O.	400x277	
DATE	JOB NUMBER	DRAWING NUMBER	REVISION	A	
MARCH 2019	J6149	S-04	A		

REV	DATE	AMENDMENT	BY
A	03/04/2019	ISSUED FOR MARKETING ONLY	R.E.